



COMPACT INVERTER SERIES

J1000



GB

D
E
F
I

J1000
J1000
J1000

J1000

THE J-TYPE YASKAWA INVERTER DRIVE TECHNOLOGY

Contents

- ▶ **Page 2**
Experience & Innovation
A leader in Inverter Drives technology
- ▶ **Page 3**
Features & Functions
- ▶ **Page 4**
Specifications
- ▶ **Page 5**
Connection Diagram
- ▶ **Page 6**
Dimensions
- ▶ **Page 7**
Ratings & Type Descriptions

Experience & Innovation

For more than 90 years YASKAWA has been manufacturing and supplying mechatronic products for machine building and industrial automation.

A leader in Inverter Drives technology

Extensive research and development has allowed YASKAWA to remain at the forefront of motion control and automation technology. This technological leadership has helped to modernise industries such as mining, steel, pulp and paper, chemical, automotive, packaging, machine tool and semiconductor.

Its standard products as well as tailor-made solutions are famous and have a high reputation for outstanding quality and durability.

The famous YASKAWA reliability is now available in an even smaller and more powerful unit.

J1000 is fully capable of efficient performance and energy saving, handling variable speed needs in compact applications.



The J1000 cutting-edge features such as:

- ▶ V/f Control
- ▶ Plug'n Play installation function
- ▶ Over-Excitation Braking
- ▶ Easy parameter programming and controller functions
- ▶ Braking Chopper
- ▶ Heavy duty / normal duty rating
- ▶ International standards

YASKAWA
J1000



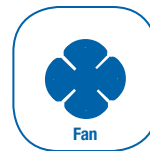
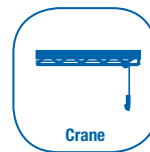
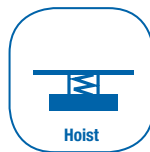
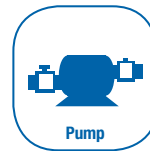
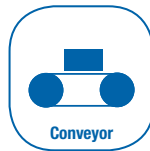
Features & Functions

Focus on application

Customer orientation and application focus – two attributes of machine equipment YASKAWA offers with its new J1000 compact inverter drive series.

The J1000 meets all automation requirements for compact applications with variable speed operation and energy saving characteristics. A wide range of useful functions upgrade your machine and offer great potentials.

The concept of small size and easy handling with the famous YASKAWA reliability makes the J1000 an alternative in the drive market not only cost wise.



YASKAWA J1000 Features & Functions

Performance

- ▶ Compact Design – Small design and side-by-side mounting reduce installation space and costs.
- ▶ Stall Prevention Functions – Stall prevention ensures stable operation during momentary power loss, change of load or power supply.
- ▶ International Standards – RoHS, CE, cUL, UL compliance.
- ▶ High Torque Performance – Detects load and automatically adjusts torque regardless the actual speed conditions.
- ▶ Digital Operator – 5 digit display, 8 keys on the operator as well as Verify Function for changed parameter values.

Options

- ▶ Parameter Copy Unit
- ▶ Optional LED Remote Operator
- ▶ Serial Communication Option – Compatible with RS-422/485 Interface for MEMOBUS communication.
- ▶ Speed Potentiometer

Functions

- ▶ Easy Set-Up Functions – Enables quick installation and operation.
- ▶ Over-Excitation Braking – For quick deceleration without external braking resistor.
- ▶ Maintenance monitor informs in advance about recommended maintenance for cooling fan and electrolytic capacitors.

- ▶ Small Design – Big Power: 150% overload in heavy duty service is possible. For applications with low overload requirements the drive can be operated with 120% overload in normal duty service. Consequently you can use a drive of smaller size to do the work of a bigger one.
- ▶ Tough Operation – Power-Loss-Ride-Through and Fault Restart Functions ensure continuous running of the motor.
- ▶ Drive Wizard Plus – Free parameter management tool for PC to support installation and operation procedures.

- ⚠ WARNING** Risk of electric shock.
- Read manual before installing.
 - Wait 1 minute for capacitor discharge after disconnecting power supply.
 - To conform to requirements, make sure to ground the supply neutral for 400V class.
- ⚠ AVERTISSEMENT** Risque de décharge électrique.
- Lire le manuel avant l'installation.
 - Attendre 1 minute après la coupure de l'alimentation.



Specifications

		Specifications
Control Characteristics	Control methods	V/f Control
	Frequency Control Range	0.01 to 400 Hz
	Frequency Accuracy (Temperature Fluctuation)	Digital input: within $\pm 0.01\%$ of the max. output frequency (-10°C to $+50^{\circ}\text{C}$)
		Analog input: within $\pm 0.5\%$ of the max. output frequency ($25^{\circ}\text{C} \pm 10^{\circ}\text{C}$)
	Frequency Setting Resolution	Digital input: 0.01 Hz
		Analog input: 1/1000 of max. frequency
	Output Frequency Resolution	$1/2^{20}$ x Maximum output frequency (E1-04)
	Frequency Setting Signal	Main frequency reference: 0 to +10 Vdc (20 k Ω), 4 to 20 mA (250 Ω), 0 to 20 mA (250 Ω)
	Starting Torque	150% / 3 Hz
	Speed Control Range	1:20
	Accel/Decel Time	0.0 to 6000.0 s (4 selectable combinations of independent acceleration and deceleration settings)
	Braking Torque	① Short-time decel torque ^{*1} : over 150% for 0.1/0.2 kW motors, over 100% for 0.4/ 0.75 kW motors, over 50% for 1.5 kW motors, and over 20% for 2.2 kW and above motors. ② Continuous regen. torque: approx. 20% (approx. 125% with dynamic braking resistor option ^{*2} : 10% ED, 10 s, internal braking transistor)
V/f Characteristics	User-selected programs, V/f preset patterns possible	
Main Control Functions	Momentary power loss ride-thru, Speed search, 9-step speed (max), Accel/decel time switch, S-curve accel/decel, 3-wire sequence, Cooling fan on/off switch, Slip compensation, Torque compensation, Frequency jump, Upper/lower limits for frequency reference, DC injection braking at start and stop, Overexcitation braking, Fault restart ...	
Protection Function	Motor Protection	Motor overheat protection based on output current
	Momentary Overcurrent Protection	Drive stops when output current exceeds 200% of Heavy Duty Rating
	Overload Protection	Drive stops after 60 s at 150% of rated output current (Heavy Duty Rating) ^{*3}
	Overvoltage Protection	200 V class: Stops when DC bus exceeds approx. 410 V 400 V class: Stops when DC bus exceeds approx. 820 V
	Undervoltage Protection	Stops when DC bus voltage falls below the following levels: 190 V (3-phase 200 V), 160 V (single-phase 200 V), 380 V (3-phase 400 V), 350 V (3-phase 380 V)
	Momentary Power Loss Ride-Thru	Stops after approx. 15 ms (default).
	Heatsink Overheat Protection	Protection by thermistor
	Braking Resistance Overheat Protection	Overheat protection for braking resistor (optional ERF-type, 3% ED)
	Stall Prevention	Separate settings allowed during acceleration and during run. Enable/disable only during deceleration.
	Ground Fault Protection	Protection by electronic circuit ^{*4}
	Charge LED	Charge LED remains lit until DC bus falls below approx. 50 V
Operating Environment	Area of Use	Indoors
	Ambient Temperature	-10 to $+50^{\circ}\text{C}$ (IP20 open chassis), -10 to $+40^{\circ}\text{C}$ (NEMA Type 1)
	Humidity	95 RH% or less (no condensation)
	Storage Temperature	-20 to $+60^{\circ}\text{C}$ (short-term temperature during transportation)
	Altitude	Max. 1000 m (output derating of 1% per 100 m above 1000 m, max. 3000 m)
	Shock	10 to 20 Hz (9.8 m/s ²) max., 20 to 55 Hz (5.9 m/s ²) max.
Safety Standard	UL508C	
Protection Design	IP20 open-chassis, NEMA Type 1 enclosure (option)	

^{*1} Momentary average deceleration torque refers to the deceleration torque from 60Hz down to 0 Hz. This may vary depending on the motor.

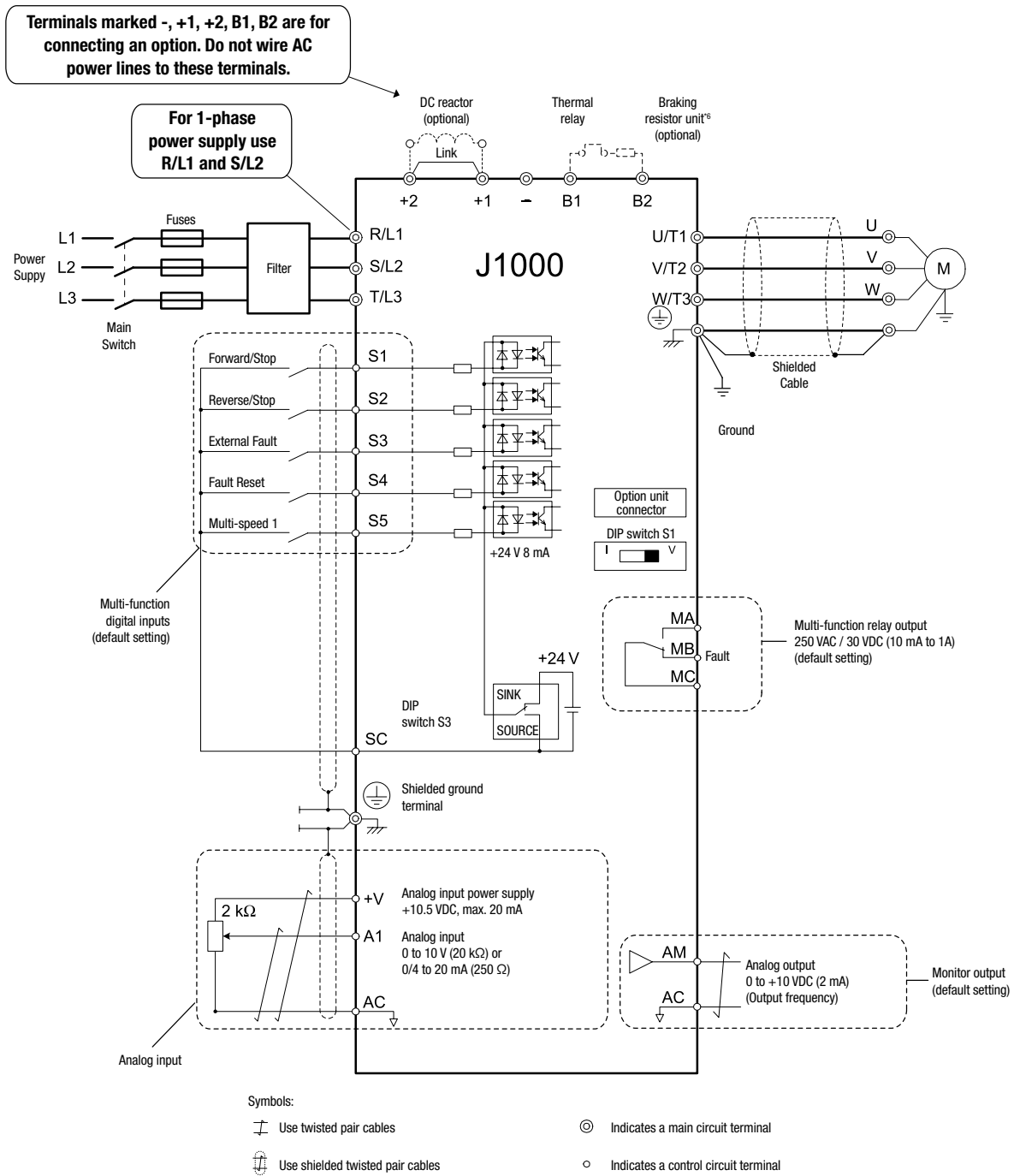
^{*2} Parameter L3-04 should be disabled when a Braking Resistor or Braking Resistor Unit is connected.

^{*3} Overload protection may be triggered at lower levels if output frequency is below 6 Hz.

^{*4} Protection may not be provided under the following conditions as the motor windings are grounded internally during run:

- Low resistance to ground from the motor cable or terminal block.
- Drive already has a short-circuit when the power is turned on.

Connection Diagram





Dimensions

Enclosures

Standard J1000 uses an open-chassis design (IP20).

NEMA 1 kits are available to convert the standard IP20 design to a NEMA Type 1 enclosure rating.

Open-Chassis [IP20]

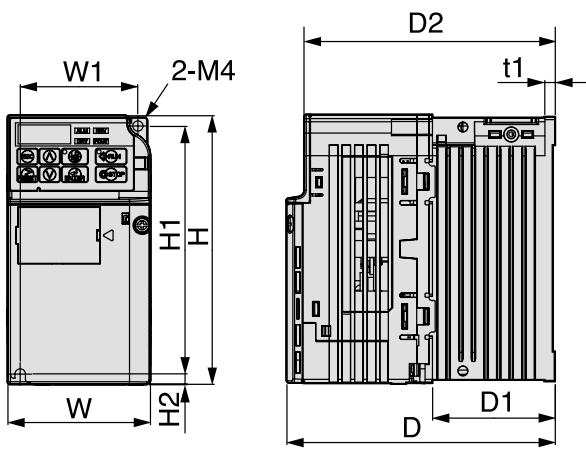


Fig. 1

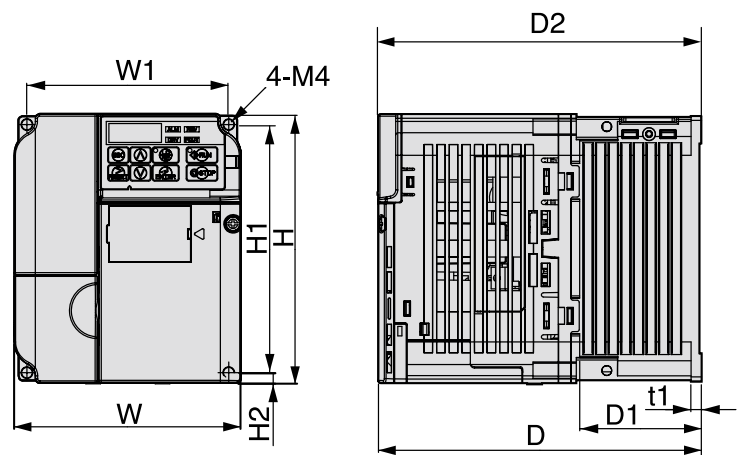
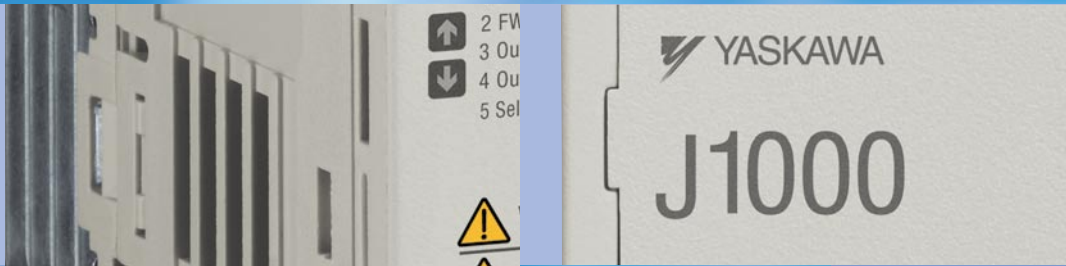
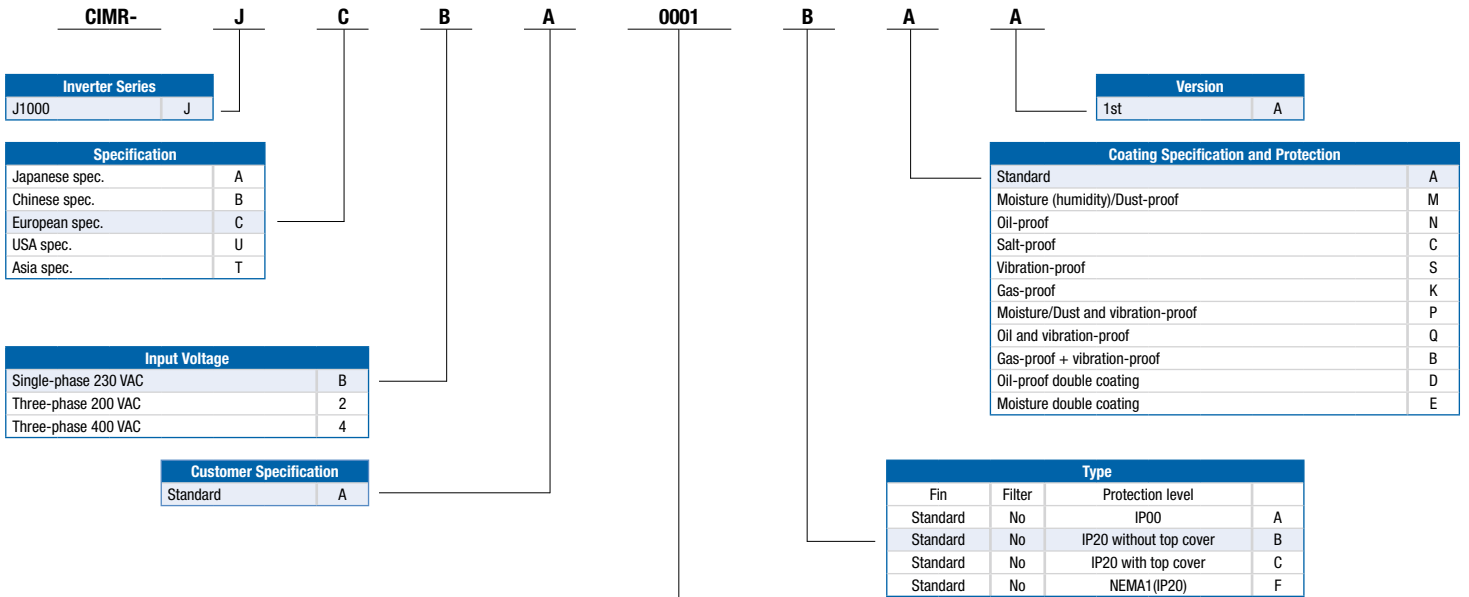


Fig. 2

Voltage Class	Drive Model CIMR-JA□	Figure	Dimensions in mm									Weight (kg)	Cooling
			W	H	D	W1	H1	H2	D1	D2	t1		
Three-Phase 200 V Class	2A0001B	1	68	128	76	56	118	5	6.5	67.5	3	0.6	Self-cooled
	2A0002B		68	128	76	56	118	5	6.5	67.5	3	0.6	
	2A0004B		68	128	108	56	118	5	38.5	99.5	5	0.9	
	2A0006B		68	128	128	56	118	5	58.5	119.5	5	1.1	
	2A0008B	2	108	128	129	96	118	5	58	120.5	5	1.7	Fan cooled
	2A0010B		108	128	129	96	118	5	58	120.5	5	1.7	
	2A0012B		108	128	137.5	96	118	5	58	129	5	1.7	
	2A0018B		140	128	143	128	118	5	65	134.5	5	2.4	
2A0020B	140	128	143	128	118	5	65	134.5	5	2.4			
Single-Phase 200 V Class	BA0001B	1	68	128	76	56	118	5	6.5	67.5	3	0.6	Self-cooled
	BA0002B		68	128	76	56	118	5	6.5	67.5	3	0.6	
	BA0003B		68	128	118	56	118	5	38.5	109.5	5	1.0	
	BA0006B	2	108	128	137.5	96	118	5	58	129	5	1.7	Fan cooled
	BA0010B		108	128	154	96	118	5	58	145.5	5	1.8	
Three-Phase 400 V class	4A0001B	2	108	128	81	96	118	5	10	72.5	5	1.0	Self-cooled
	4A0002B		108	128	99	96	118	5	28	90.5	5	1.2	
	4A0004B		108	128	137.5	96	118	5	58	129	5	1.7	
	4A0005B		108	128	154	96	118	5	58	145.5	5	1.7	Fan cooled
	4A0007B		108	128	154	96	118	5	58	145.5	5	1.7	
	4A0009B		108	128	154	96	118	5	58	145.5	5	1.7	
	4A0011B		140	128	143	128	118	5	65	134.5	5	2.4	



Ratings & Type Descriptions



Voltage class		200 V								
Inverter Model	Three Phase Inverter CIMR-JCBA	0001	0002	0004	0006	0008	0010	0012	0018	0020
	Single Phase*1 Inverter CIMR-JC2A	0001	0002	0003	0006	-	0010	-	-	-
Inverter output	Motor output kW at normal duty*2	0.2	0.4	0.75	1.1	1.5	2.2	3.0	3.7	5.5
	Motor output kW at heavy duty *2	0.1	0.2	0.4	0.75	1.1	1.5	2.2	3.0	3.7
	Rated output current at normal duty [A]*3	1.2	1.9	3.5 (3.3)	6.0	8.0	9.6	12.0	17.5	19.6
	Rated output current at heavy duty [A]	0.8*5	1.6*5	3*5	5.0*5	6.9*6	8.0*6	11.0*6	14.0*6	17.5*6
	Overload	120% for 60 sec at normal duty, 150% for 60 sec at heavy duty from inverter rated output current								
	Rated output power*4 at normal duty [kVA]*3	0.5	0.7	1.3	2.3	3.0	3.7	4.6	6.7	7.5
	Rated output power*4 at heavy duty [kVA]	0.3*5	0.6*5	1.1*5	1.9*5	2.6*6	3.0*6	4.2*6	5.3*6	6.7*6
Inverter input	Max. output voltage	Three-phase power supply: three-phase 200 to 240 V (relative to input voltage) Single-phase power supply: three-phase 200 to 240 V (relative to input voltage)								
	Max. output frequency	400 Hz								
	Rated input voltage	Three-phase 200 to 240 V +10%/-15% , Single-phase 200 to 240 V +10%/-15%								
	Rated input frequency	50/60 Hz, ±5%								

*1 Drives with a single-phase power supply input have three-phase output. Single-phase motors cannot be used.

*2 The motor capacity (kW) refers to a YASKAWA 4-pole, 60 Hz, 200 V motor. The rated output current of the drive output amps should be equal to or greater than the motor rated current.

*3 This value assumes a carrier frequency of 2 kHz. Increasing the carrier frequency requires a reduction in current.

*4 Rated output capacity is calculated with a rated output voltage of 220 V.

*5 This value assumes a carrier frequency of 10 kHz. Increasing the carrier frequency requires a reduction in current.

*6 This value assumes a carrier frequency of 8 kHz. Increasing the carrier frequency requires a reduction in current.

Voltage class		400 V						
Inverter Model	Three Phase Inverter CIMR-JC4A	0001	0002	0004	0005	0007	0009	0011
Inverter output	Motor output kW at normal duty *1	0.4	0.75	1.5	2.2	3.0	3.7	5.5
	Motor output kW at heavy duty *1	0.2	0.4	0.75	1.5	2.2	3.0	3.7
	rated output current at normal duty*2 [A]	1.2	2.1	4.1	5.4	6.9	8.8	11.1
	rated output current at heavy duty*3 [A]	1.2	1.8	3.4	4.8	5.5	7.2	9.2
	Overload	120% for 60 sec at normal duty, 150% for 60 sec at heavy duty from inverter rated output current						
	Rated output power*4 at normal duty*2 [kVA]	0.9	1.6	3.1	4.1	5.3	6.7	8.5
	Rated output power*4 at heavy duty*3 [kVA]	0.9	1.4	2.6	3.7	4.2	5.5	7.0
Inverter input	Max. output voltage	Three-phase 380 to 480 V (proportional to input voltage)						
	Max. output frequency	400 Hz						
	Rated input voltage	Three-phase 380 to 480 V +10%/-15%						
	Rated input frequency	50/60 Hz +/-5%						

*1 The motor capacity (kW) refers to a YASKAWA 4-pole, 60 Hz, 400 V motor. The rated output current of the drive output amps should be equal to or greater than the motor rated current.

*2 This value assumes a carrier frequency of 2 kHz. Increasing the carrier frequency requires a reduction in current.

*3 This value assumes a carrier frequency of 8 kHz. Increasing the carrier frequency requires a reduction in current.

*4 Value displayed is for when operating at the rated output current. Rated output capacity is calculated with a rated output voltage of 440 V.



YASKAWA Electric Europe GmbH

Hauptstr. 185
65760 Eschborn
Deutschland / Germany

+49 6196 569-300
info@yaskawa.de
www.yaskawa.eu.com

International Standards



Safety Standards

Safety Stop

RoHS Directive

RoHS Directive Stands for the EU directive on the Restriction of the Use of Certain Hazardous Substances in Electrical and Electronic Equipment

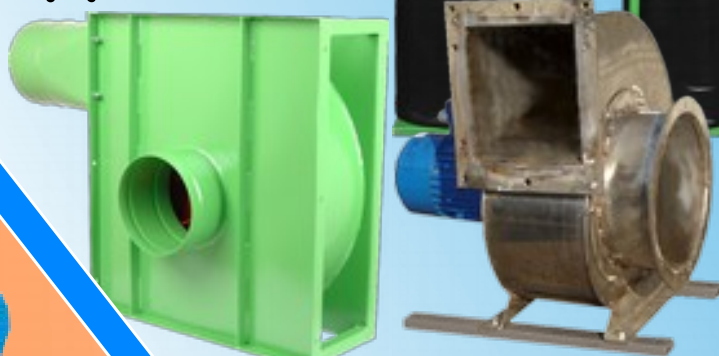
Wentylatory



Nagrzewnice



Odpylacze



TEL/FAX:(017) 8555744

TEL.KOM: 601478570

ZAWEX

KRASNE 830A
36-007 KRASNE

SANYU

EURa
DRIVES



Falowniki

Akcesoria



SklepFalowniki.pl